

POK

FIREFIGHTING EQUIPMENT

POK INSIGHT



POK and PRONOIA : a 30-year old partnership

Thirty years ago, **PRONOIA** placed its first order with **POK®**; a very long relationship began and evolved from father to son, enabling POK to be constantly present on the Greek market.

To celebrate this anniversary, **POK** and **PRONOIA** will be jointly present at the **POSIDONIA** exhibition, from 4th - 8th June 2018.



Pronoia - Vossos Timotheos Fire Fighting Equipment

Lysiou 48 & Leventi, Peristeri

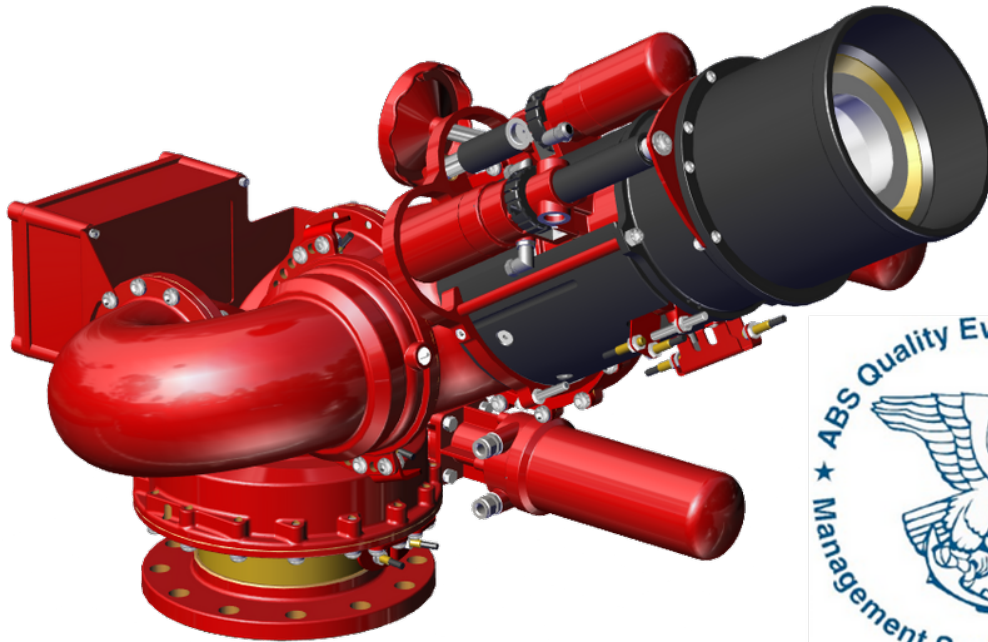
12132 - Athens - Greece

☎ : 00.30.210.57.20.762

✉ : [info \[at\] pronoia.gr](mailto:info@pronoia.gr)

🌐 : www.pronoia.gr

During this event, we will introduce our leading product in the marine sector; a high flow rate (20.000 L/min) DN 200 remote-controlled monitor made of bronze (see technical data sheets).

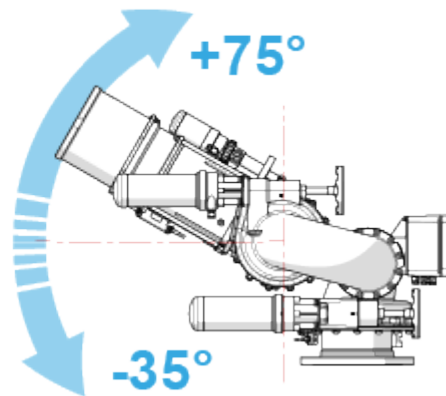
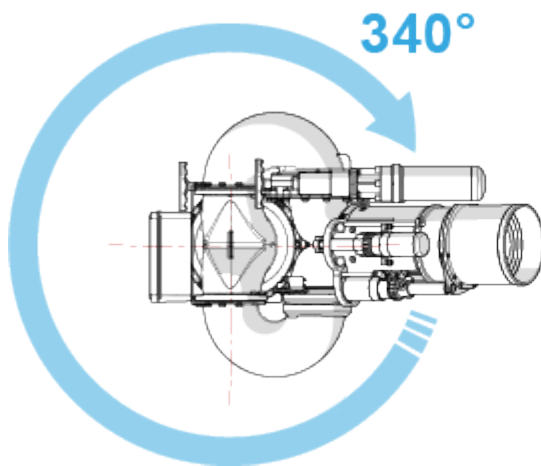


DN200 - Diffuser
selectable stream pattern

DN200 - Diffuser
with selectable flow rate

DN200 - Canon
with spreading claw

DN200 - Canon
without spreading claw



Posidonia  **Ποσειδώνια**
The International Shipping Exhibition
4-8 June 2018

Come and meet us on our booth #2.144 / Hall 2

POK in South Korea

Our partners come from further and further away to visit us. It was with great pleasure that we received our new partners from South Korea, **SHILLA**, who will promote and market our products in this region.

Our guests attended practical training session and water tests, helping them to increase their product knowledge and check POK's products effectiveness and reliability.



Shilla's team in the OK Metal showroom



Shilla Fire Co., Ltd.

SHILLA FIRE Co., Ltd.

22B 8L, Nam Dong Ind. Complex, 433-11,
Non Hon-Dong, Nam Dong-Gu, Incheon
City 405-848, Korea

☎ : + 82.32.819.3349

🌐 : www.shillafire.com

Saudi Arabia: a key market

Saudi Arabia is the world largest petrochemical producer, a core target industry for **POK**.

POK was present at Intersec Jeddah, under the "flag" of the US

company **MARTECH** where **POK** introduced its products. During this event, **POK** presented a film on its new bronze DN80 monitor developed and designed for this market.

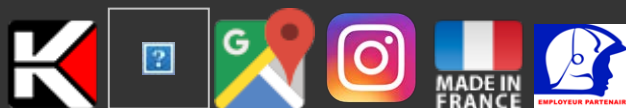


The DN80 monitor in action



[Discover our previous Newsletters](#)

POK recruits. Join Us !



This e-mail has been sent to , [click here to unsubscribe.](#)

POK SAS - 18 Cours Antoine Lavoisier - 10400 Nogent-sur-Seine - FRANCE